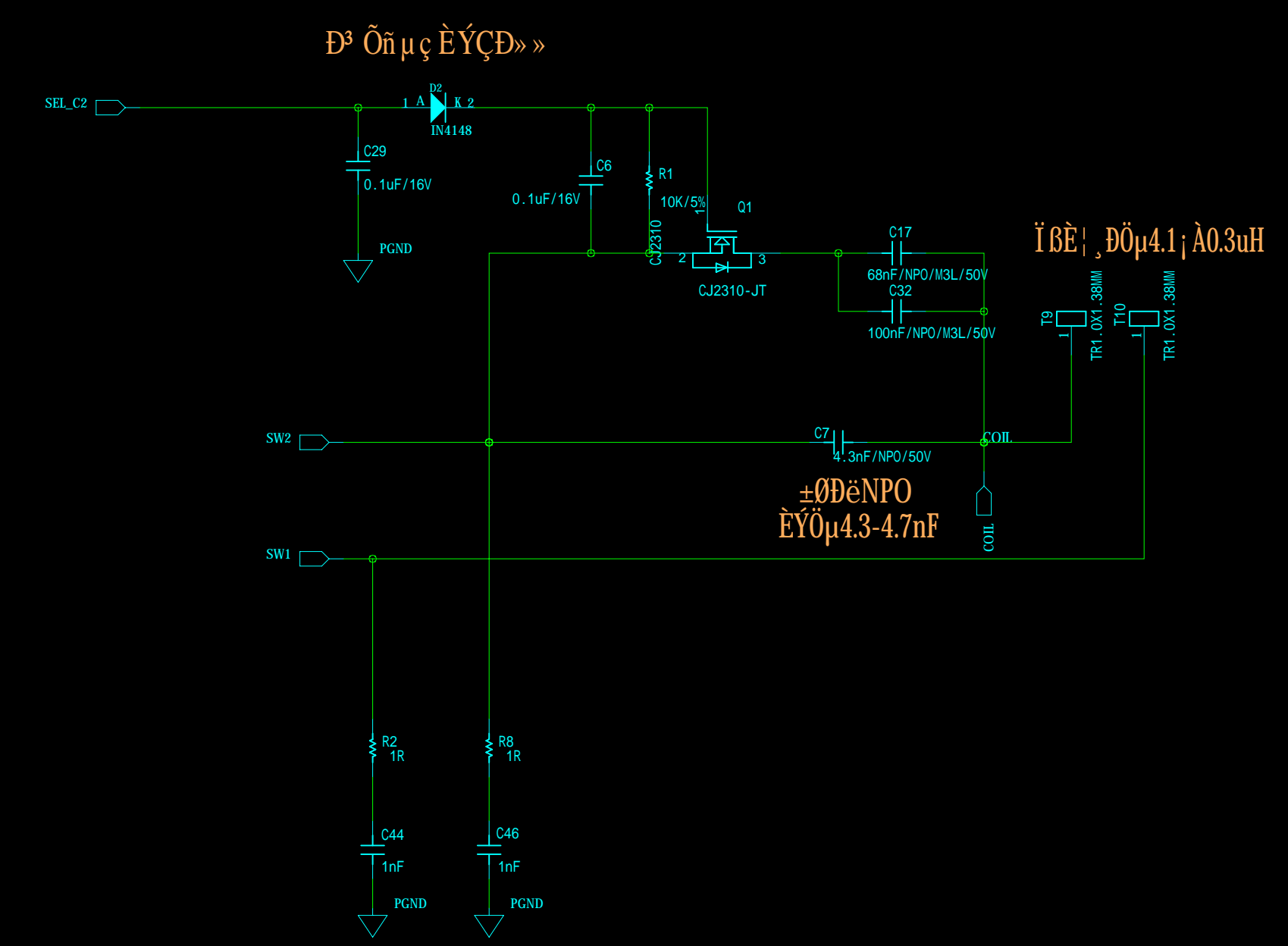
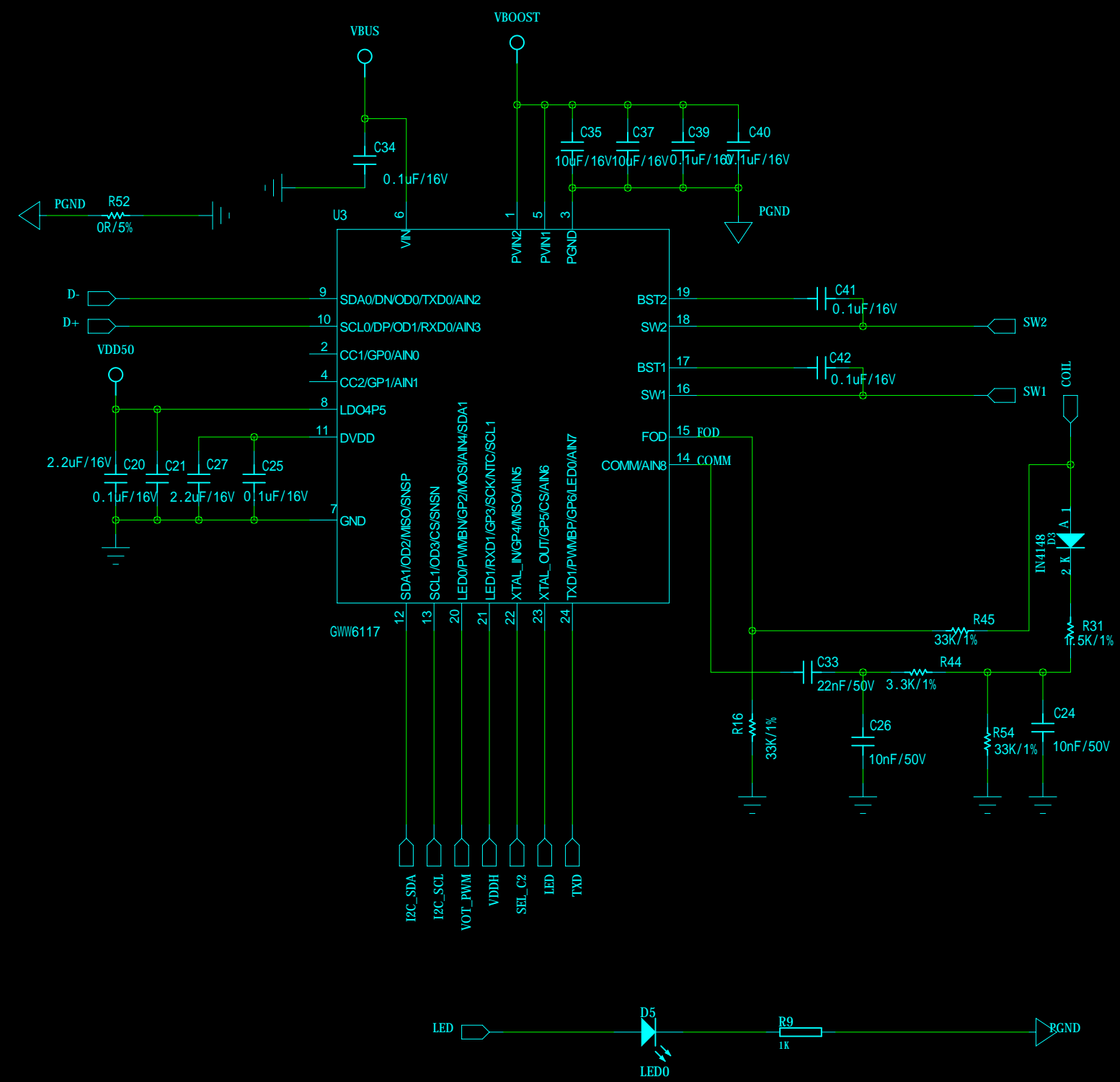
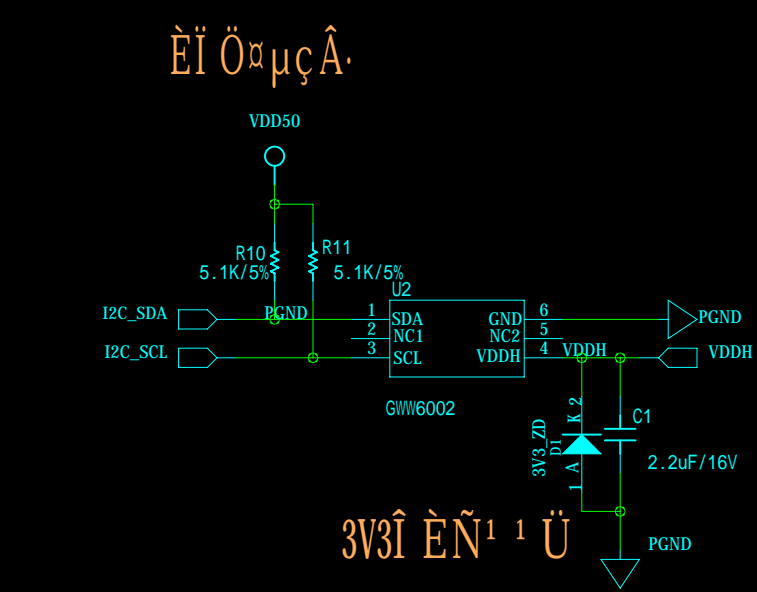
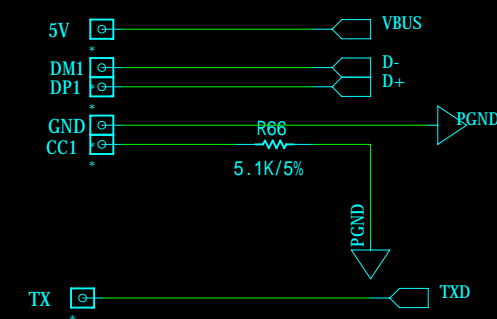
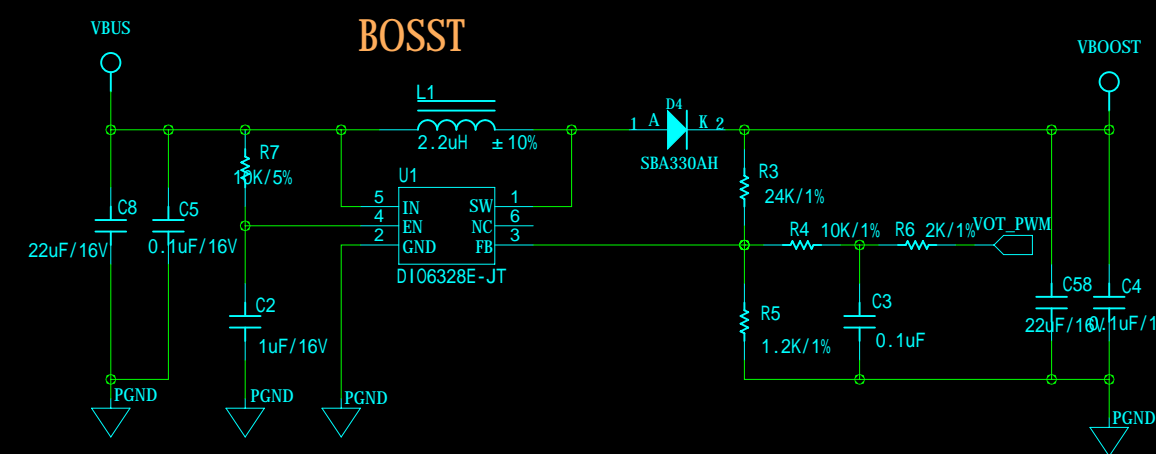


REVISION HISTORY			
ITE	REV. NO.	APPROVED	DATE

# GF5110\_10A\_V1.2\_SZ



COMPANY: <Company Name>			
TITLE: iPhone 15 Wireless charging			
DESIGNER: rockyan	DATE: 2022.05.21	CODE: STYP	SIZE: D
CHECKED: Arthur	DATE: 2022.05.21	BOARDING NO: STYP-GF5000	REV: 1.0
QUALITY CONTROL: Arthur	DATE: 2022.05.21	SCALE: <Scale>	SHEET: of 1
RELEASED: rockyan	DATE: 2022.05.21		